

## Seal Upright Heated Merchandisers with Ovens

### Key Features

- Type: Heated counter-top units
- Thermostatic temperature control
- Display cabinet temperature up to 95°C
- Internal lighting
- Water and crumb tray
- Rectangular wire rack with three shelves (static models)
- Circular wire shelves (rotating models)
- Oven with separate thermostatic control
- Oven temperature 50° – 250°C
- Bottom-hinged oven door (90° opening)
- Height adjustable feet
- Supplied with one oven shelf



UMO50

### Construction

- Body: stainless steel grade 430
- Oven liner: stainless steel grade 430
- Glass: toughened safety glass
- Oven shelves: chrome plated
- Merchandiser shelves/rack: chrome plated

### Available Options

- Choice of single or two-door models
- Choice of static or rotating racks
- 60Hz supply (price on request)

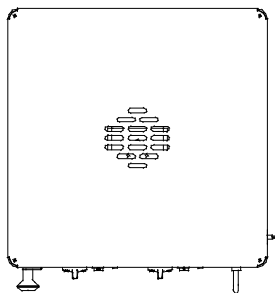
### Available Accessories

- N/A

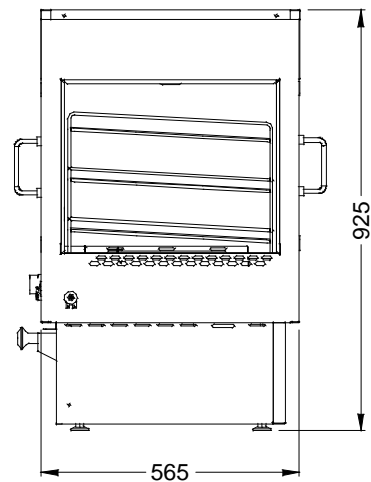
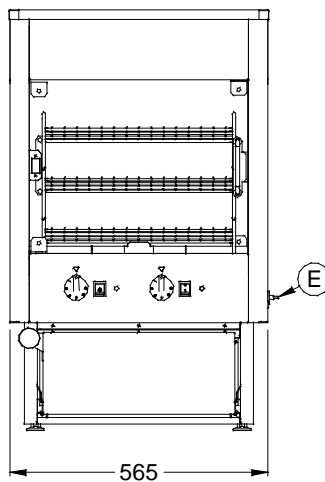
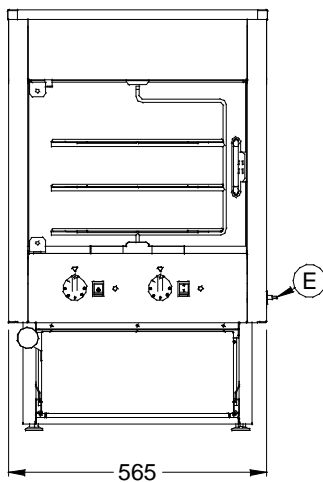
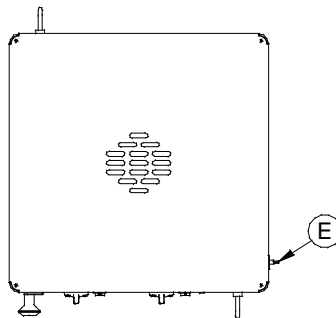
## Specifications

Model	UMO50	UMO50D	UMSO50	UMSO50D
External height (mm)	925	925	925	925
External width (mm)	565	565	565	565
External depth (mm)	565	565	565	565
Shelf type	Rotating	Rotating	Static	Static
Rectangular static shelves – w x d (mm)	-	-	410 x 446	410 x 446
Circular rotating shelves – diameter (mm)	370	370	-	-
Number of doors	1	2	1	2
Usable oven capacity h x w x d (mm)	380 x 390 x 70	380 x 390 x 70	380 x 390 x 70	380 x 390 x 70
Oven shelf size w x d (mm)	380 x 390	380 x 390	380 x 390	380 x 390
Net weight unpacked (kg)	50	50	50	50
Gross weight packed (kg)	55	55	55	55
Shipping volume (m <sup>3</sup> )	0.556	0.556	0.556	0.556
Display rating (kW)	1.4	1.4	1.4	1.4
Oven rating (kW)	1.4	1.4	1.4	1.4
Total electrical power rating (kW)	2.9	2.9	2.9	2.9
Electrical supply 1N~+E 230V 50-60Hz Current Rating (A)	13	13	13	13

UMO50  
UMO50D



UMSO50  
UMSO50D



Lincat Limited, Whisby Road,  
Lincoln LN6 3QZ,  
United Kingdom

UK Sales Tel: 01522 875500 UK Spares Tel: 01522 875510 UK General Tel: 01522 875555  
UK Fax: 01522 875530 International Sales Tel: +44 1522 503250 International Fax: +44 1522 875530  
Website: www.lincat.co.uk UK Sales e-mail: sales@lincat.co.uk International Sales e-mail: export@lincat.co.uk



Document ref:  
SEAL-UMO  
Issue date: Dec-09