

Seal Food Merchandiser (650 Refrigerated – Curved)

Key Features

- Type: Refrigerated counter-top unit
- Extruded aluminium curved frame
- R404a refrigerant
- Thermostatic temperature control with digital display
- Cabinet temperature 3°-5°C
- Fan cooled condenser
- Automatic defrost and condensate water evaporation
- Blown air circulation
- Diffused internal light
- Adjustable shelf positions
- Supplied with two chrome plated shelves
- Meets the performance requirements of BS EN ISO 23953-2:2005 Climate Class 3M2



C6R/130RR

Construction

- Body: powder coated aluminium frame (silver)
- Internal components: stainless steel grade 430
- Glazing: toughened safety glass, single and double glazed
- Door: sliding rear doors
- Panel: black plastic coated steel
- Base plinth: black plastic coated steel
- Shelves: chrome plated

Available Options

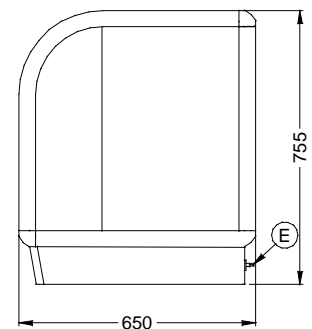
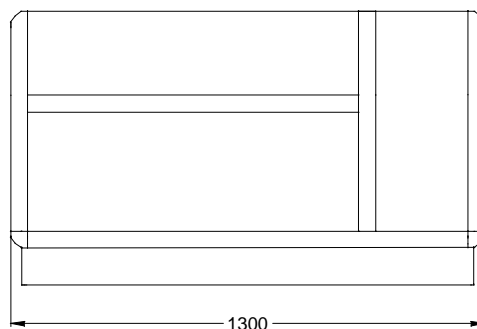
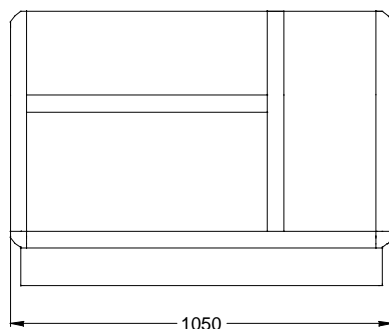
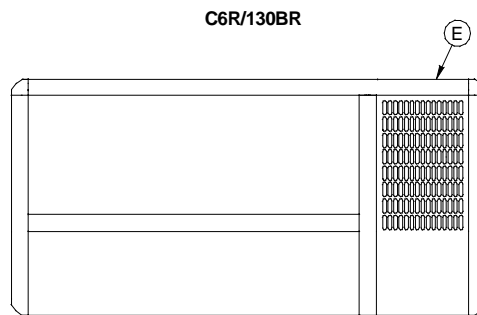
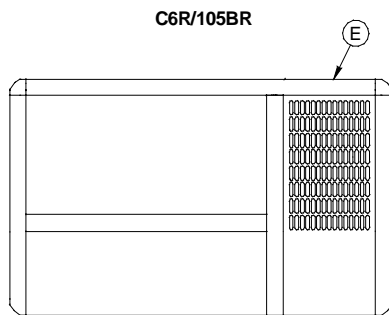
- Choice of two widths
- Choice of self service or back service
- Choice of left or right hand power pack
- 60Hz supply (price on request)

Available Accessories

N/A

Specifications

Model	C6R 105BR	C6R 105SR	C6R 105BL	C6R 105SL	C6R 130BR	C6R 130SR	C6R 130BL	C6R 130SL
External height (mm)	755							
External width (mm)	1050				1300			
External depth (mm)	650							
Capacity net volume (litres)	213				292			
Back or Self-service	Back	Self Service	Back	Self Service	Back	Self Service	Back	Self Service
Number of Shelves (including base)	3							
Shelf dimensions W x D (mm)	650 x 525				900 x 525			
Cabinet temperature (°C)	3°C – 5°C							
Food holding temperature (°C)	-1°C – 7°C							
Maximum ambient temperature (°C)	25°C							
Maximum ambient relative humidity (%)	60%							
Total power rating kW	0.602				0.717		0.729	
Electrical supply 1N~+E 230V 50-60Hz Current Rating (A)	3				4			
Net weight unpacked (kg)	105				112			
Gross weight packed (kg)	122				130			
Shipping volume (m ³)	0.802				0.976			



Lincat Limited, Whisby Road,
Lincoln LN6 3QZ,
United Kingdom

UK Sales Tel: 01522 875500 UK Spares Tel: 01522 875510 UK General Tel: 01522 875555
 UK Fax: 01522 875530 International Sales Tel: +44 1522 503250 International Fax: +44 1522 875530
 Website: www.lincat.co.uk UK Sales e-mail: sales@lincat.co.uk International Sales e-mail: export@lincat.co.uk



Document ref:
SEAL650REFCURVE
Issue date: Dec-09